



**Technical Product
Standardization –**
Working efficiently
despite product variety.

Consistent.
Streamlined.
Comprehensive.

Technical Product Standardization

Working efficiently despite product variety

Over the years, the variety of models in many companies has increased significantly. This raises the pressure to keep track of your company's efficiency and inventories, despite the product variety. With our „Technical Product Standardization“ consulting service, we help you define clear regulations for product design engineering. Using consistent standards and engineering principles, the part diversity and engineering

variations are minimized and common product processing features are created. This leads to simplified production. And yet, the main priority is that clients and designers must not be restricted. Increase the efficiency of your entire organization by implementing an intelligent product design which ideally combines product demands and requirements.

1

YOUR BENEFITS

- Increased performance in production
- Standardized production processes
- Simplified production
- Reduced throughput times
- Reduction of stocks
- Reduced manufacturing costs
- Greater product diversity due to combination possibilities

2

OUR APPROACH

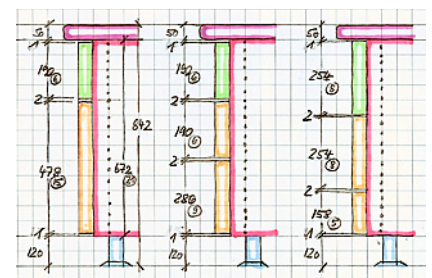
- Analysis of the current products
- Elaboration of the basic concept on site
- Detailed elaboration of the standardisation system at SCHULER
- Presentation of the results and the documentation on site
- Supervision of the implementation of the adopted measures

STANDARDISATION OF A KITCHEN SELECTION



New system from SCHULER

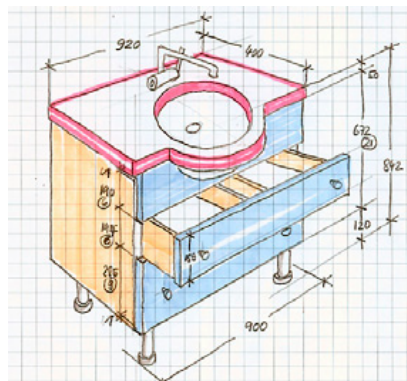
- Average number of different parts per article = 8.25
- Consistent consideration of all products across all kitchen designs
- Different plinth designs do not change the cabinet dimensions
- Different fittings do not change the cabinet dimensions



- Reduction in the number of components by 30%
- Increase in productivity in production

Existing system

- Average number of different parts per item = 11.75
- No uniform modular system across different kitchen designs
- Different plinth designs change the cabinet dimensions
- Different fittings change the drilling pattern
- This results in many different drilling patterns



FIND OUT MORE!

info@schuler-consulting.com

www.schuler-consulting.com

