

Big can be that small.

HOMAG

Dowelhole-Drilling Machine
DRILLTEQ C-100 – NBS 033

YOUR SOLUTION





Big can be that small.

As individual machine the DRILLTEQ C-100 – NBS 033 has one task: dowelhole drilling – making the machine more efficient and reliable than ever before. Space-saving products for clever support in your company.

ALL FROM ONE SOURCE FOR THE INDIAN MARKET



For all sales enquiries ring **+91 80 6837 4545**
If you have any questions or you are uncertain
as to who you should contact, please email us.
Info-India@homag.com

CONTENT

- 04 High precision dowel hole drilling machine
- 06 Technical data
- 07 Services





DRILLTEQ C-100 – NBS 033

The easiest way for perfect dowel hole drilling

Dowel drilling machine DRILLTEQ C-100 – NBS 033 are used to drill dimensionally accurate holes in wood, into which the dowels – the round, threadless, wooded pegs used for wood constructions – are to be inserted.



Vertical drilling



Angle drilling 45°



Horizontal drilling



LH and RH Lateral fence



Longitudinal fence



Extended longitudinal fence for longer work piece



Z1 Height adjustments with position indicator



User friendly depth adjustment



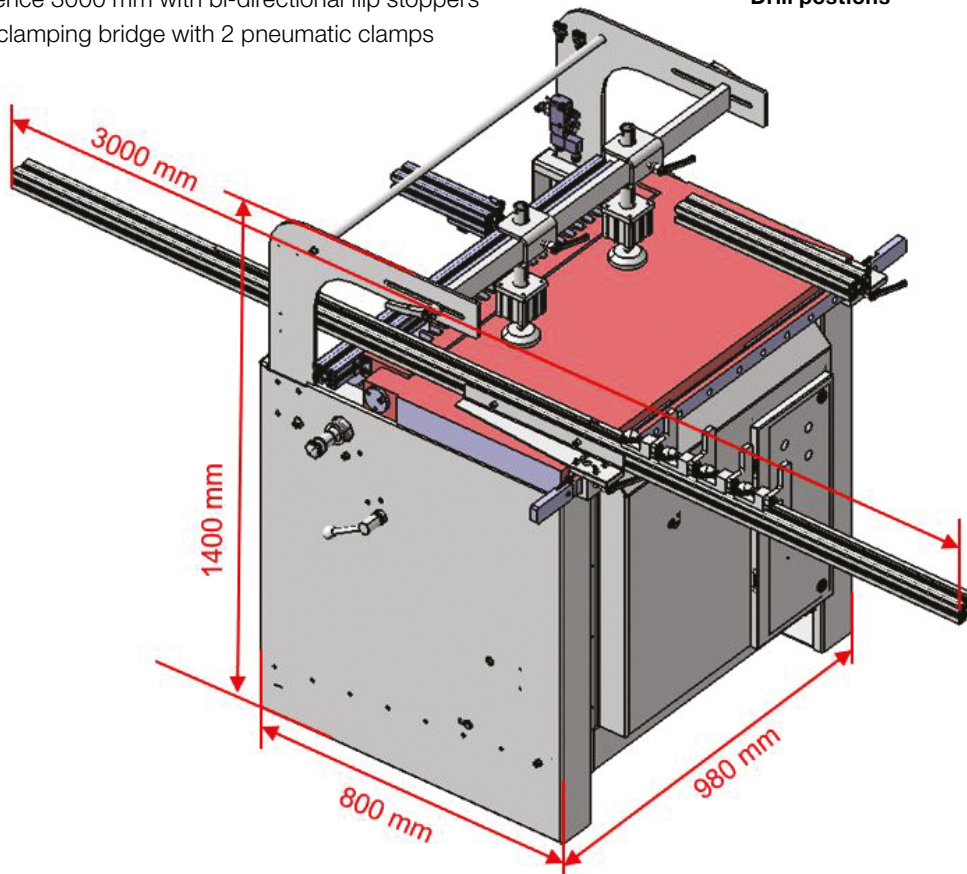
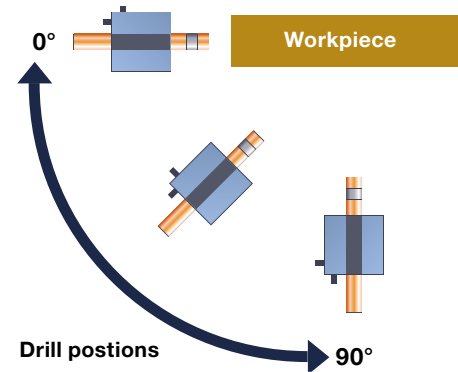
Bi-directional flip stopper both LH and RH lateral fence

DRILLTEQ C-100 – NBS 033

The multitalent for drilling operations

Highlights

- Robust steel fabricated & precisely machined table & tilting unit
- Highly precise drill block with 21 spindles
- 32 mm pitch between spindles
- User-friendly quick-change collet system
- Pneumatic drillblock tilting mechanism
- Horizontal, vertical and angle – 45° drilling
- 2.2 kW drilling motors with 2750 RPM
- Pneumatic cylinder $\varnothing 100 \times 100$ mm stroke drill feed
- LH and RH Lateral fence
- Extended fence 3000 mm with bi-directional flip stoppers
- Adjustable clamping bridge with 2 pneumatic clamps



DRILLTEQ C-100 – NBS 033			
Workpiece length	max. 3000 mm	Total machine weight	approx. 350 kg
Workpiece width	max. 840 mm	Machine dimensions	approx. 1000 mm x 1050 mm
Workpiece thickness	10 - 60 mm	Setup area L x W	approx. 3000 mm x 1500 mm
Drilling spindles	21 spindles x 32 mm pitch	Connected load	2.2 kW
Drilling stroke	100 mm	Compressed air required	6 bar

Our Services

- Technical Support
- Field Technicians trained to the highest standards
- Routine Maintenance Programs
- Gluepot Repair Service
- Spare Parts
- Upgrades
- Remote Diagnostics

Please contact us at +91 80 6837 4545 or Info-India@homag.com for service and spare parts enquiries.

HC LIFE CYCLE SERVICES

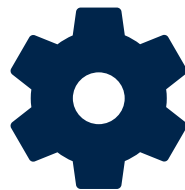
Optimal service and individual consultations are included in the purchase of our machines. We support you with service innovations and products which are especially tailored to your requirements. With short response times and fast

customer solutions we guarantee consistently high availability and economical production – over the entire life cycle of your machine.



REMOTE SERVICE

- Hotline support via remote diagnosis by our trained experts regarding control, mechanics and process technology. Thus, more than 90% less on-site service required and consequently a faster solution for you!
- The ServiceBoard App helps to solve tasks in a fast, simple and concrete way. This is achieved by mobile live video diagnosis, automatic sending of service requests or the online spare parts catalog eParts.



SPARE PARTS SERVICE

- High spare parts availability and fast delivery.
- Ensuring quality by predefined spare parts and wear parts kits, comprising original spare parts.
- Identify and inquire for spare parts online under www.eParts.de 24/7, or buy even faster and more comfortably in the new HOMAG Webshop eCommerce.



FIELD SERVICE

- Increased machine availability and product quality by certified service staff.
- Regular checks through maintenance / inspection guarantee the highest quality of your products.
- We offer you the highest availability of technicians in order to reduce downtimes in case of unpredictable troubles.

HOMAG India Pvt. Ltd.

Info-India@homag.com

www.homag.com



YOUR SOLUTION